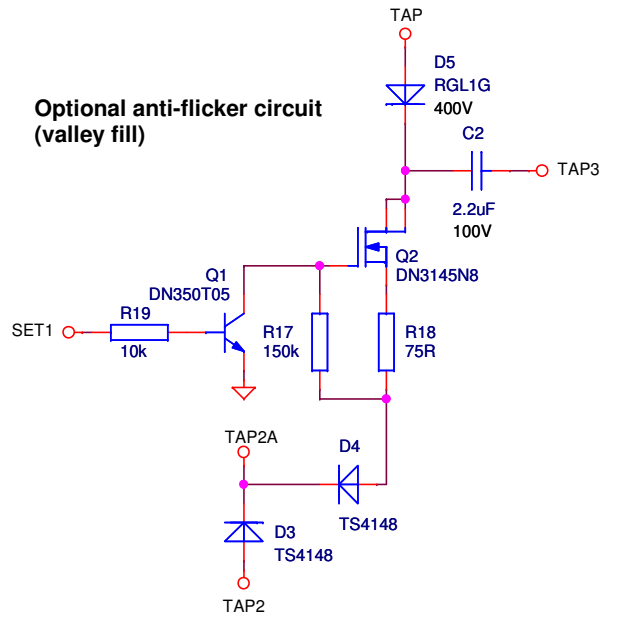
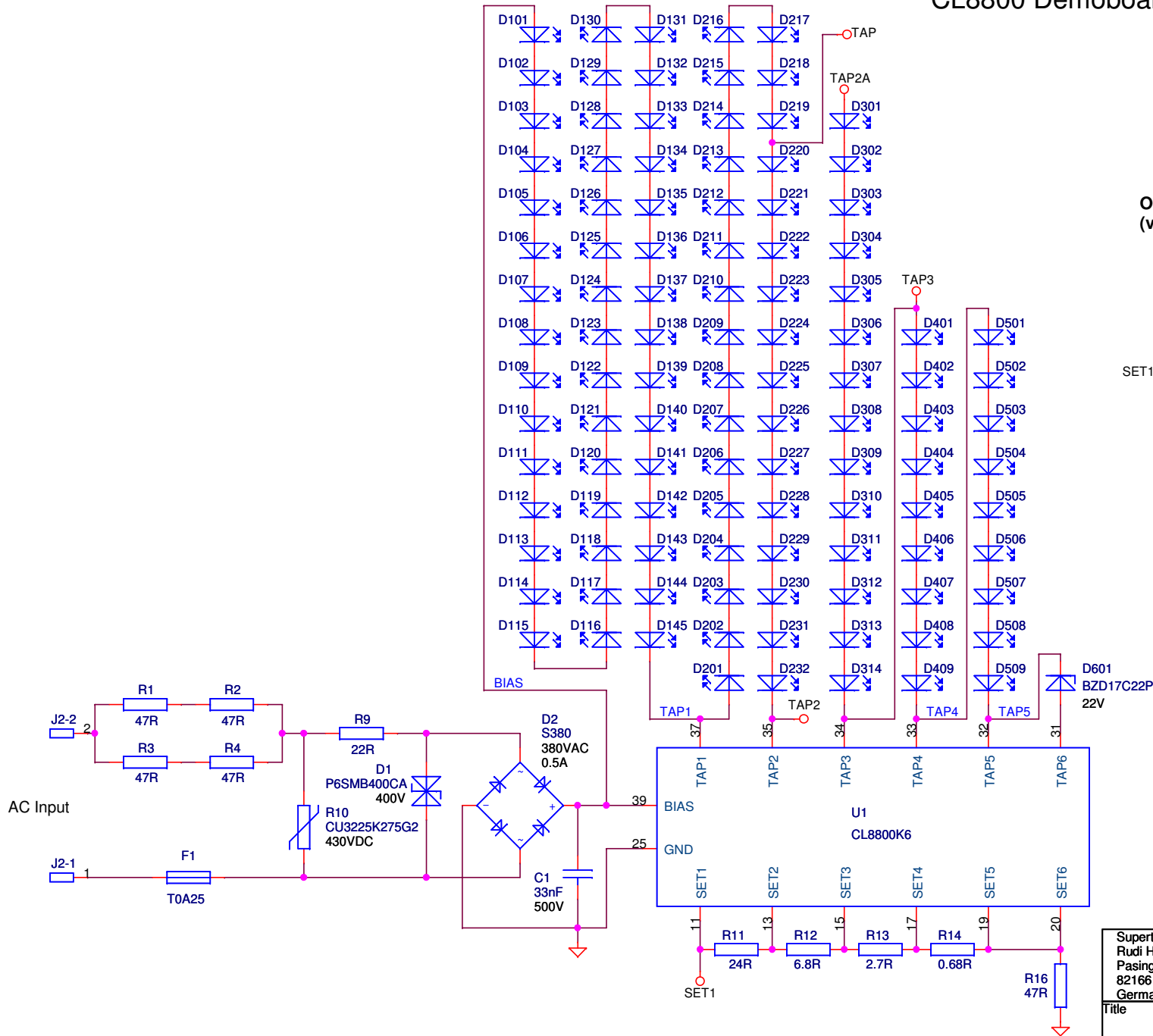


# CL8800 Demoboard



| SPECIFICATIONS  |            |
|-----------------|------------|
| Input:          | 190-265VAC |
| Number of LEDs: | 109        |
| Output Current: | 40mA max   |

|   |                                  |              |
|---|----------------------------------|--------------|
| Supertex Inc.<br>Rudi Hauser<br>Pasinger Str. 90<br>82166 Gräfelfing<br>Germany |                                  |              |
| <b>Supertex inc.</b>  |                                  |              |
| Title<br>CL8800 40mA Demoboard  |                                  |              |
| Size<br>A4  | Document Number<br>CL8800DB40_R0 | Rev<br>0     |
| Date:   | Thursday, January 19, 2012       | Sheet 1 of 1 |